

Airaid

INSTALLATION INSTRUCTIONS

404-391 724-243 Airaid Oiled Media Filter

405-391 725-243 SynthaMax Dry Media Filter

2018-19 FORD F150

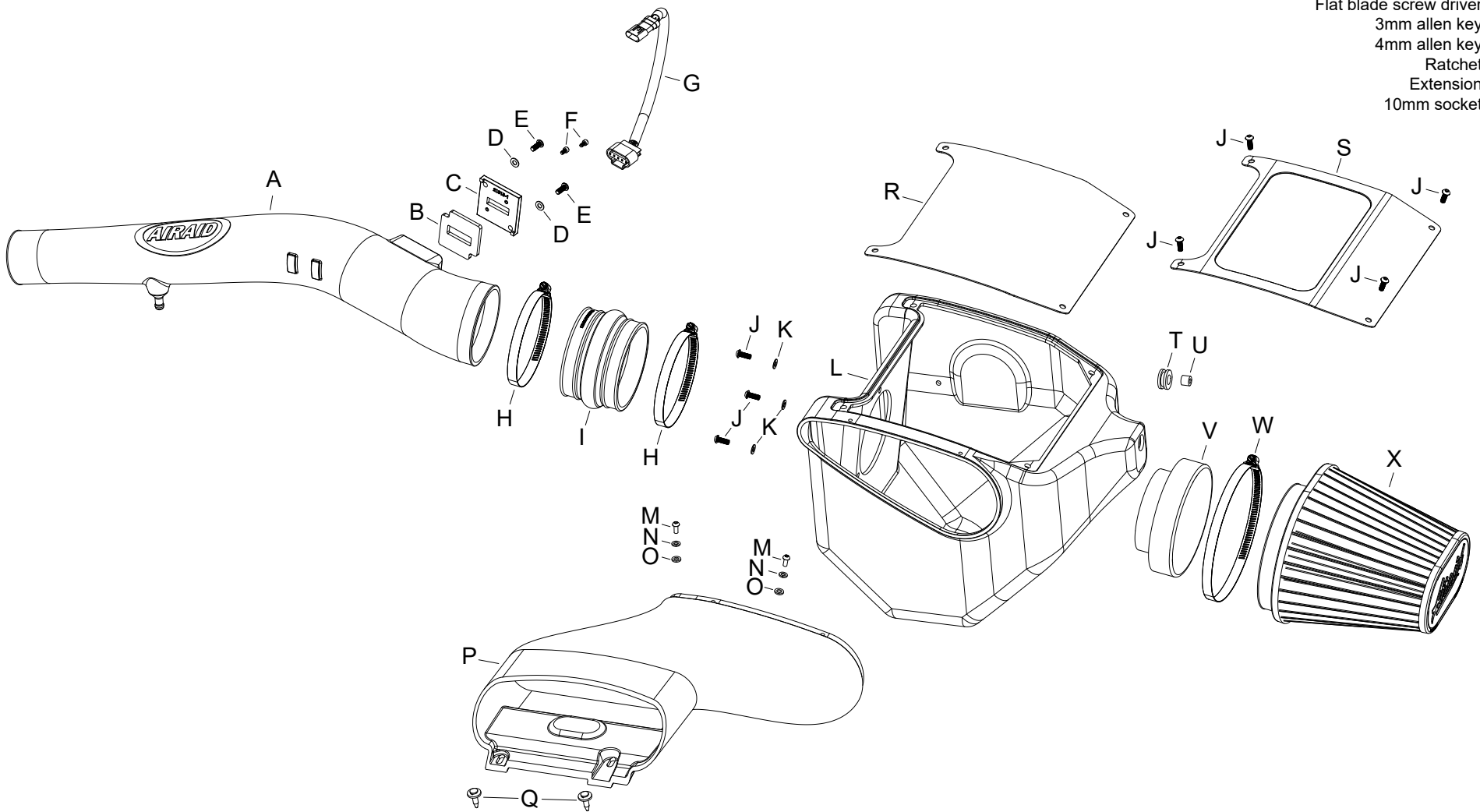
V6-3.0L Turbo Diesel

NOT LEGAL FOR SALE OR USE ON ANY POLLUTION CONTROLLED MOTOR VEHICLE IN CALIFORNIA OR STATES ADOPTING CALIFORNIA EMISSION PROCEDURES.

See Airaid.com for CARB status on each part for a specific vehicle

TOOLS NEEDED:

Flat blade screw driver
3mm allen key
4mm allen key
Ratchet
Extension
10mm socket



COMPONENT IDENTIFICATION

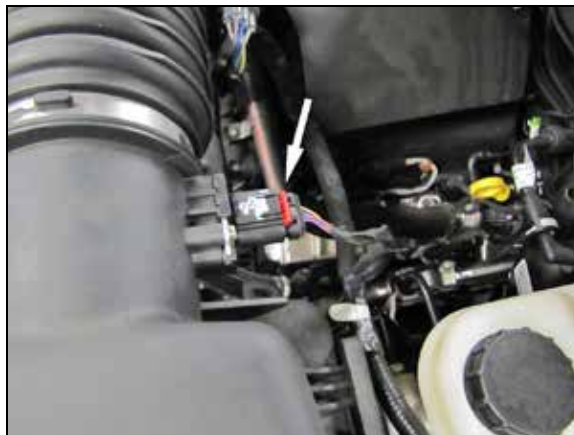
| Description | Qty. | Part # | Description | Qty. | Part # | Description | Qty. | Part # |
|-------------------------------|------|---------|----------------------------|------|-----------------|------------------------------|------|---------------|
| A TUBE; 400-391, MP, XLHDPE | 1 | 87432 | I HUMP HOSE; 4.25"ID X 3"L | 1 | KITHUMPHS05EPDM | Q CLIP; RETAINER BODY NYLON | 2 | KITRETCLIP02 |
| B GASKET; 3/16" PORON | 1 | 09069 | J SCREW; 1/4-20 X 1/2" | 7 | KIT15DHC3050 | R GASKET; 40%-293/338 | 1 | KIT338G |
| C ADAPTOR; MAF SENSOR | 1 | 21515-1 | K WASHER; 1/4"ID X 5/8"OD | 3 | 08275 | S LID; 40%-293/338 | 1 | KIT338LID |
| D WASHER; 6MM FLAT, SS | 2 | 08269 | L AIR BOX; COLD 40%-338 | 1 | KIT338CAB | T GROMMET; (177) | 1 | KITGRMT20 |
| E BOLT; M6 X 1.00 X 16MM, SS | 2 | 07730 | M SCREW; 8-32 X 5/8" | 2 | KIT15BHC3063 | U SPACER; 382"ID X 5/8"OD | 1 | KITSPACER09 |
| F BOLT; M4 - 0.7 8MM, A/H CAP | 2 | 07733 | N WASHER; #8, LOCK SPLIT | 2 | KIT15LW3016 | V ADAPTER; MAF PLASTIC 112-1 | 1 | KIT1121MAFADA |
| G MAF EXTENSION HARNESS | 1 | 21780 | O WASHER; #8, FLAT, 304SS | 2 | KIT15FW3016 | W CLAMP; #104, 9/16", SS | 1 | KITHS104 |
| H HOSE CLAMP #72 | 2 | 08671 | P INLET; 40%-293/338 | 1 | KIT338INLET | X CONE; 6" FLG 9" X 7-1/2"B | 1 | 724/725-243 |

Full color instructions can be viewed on our web site at Airaid.com. If you need any assistance please call 1-800-498-6951 to speak with a representative in our Customer Service Center before returning the product.

TO START:

1. Turn off the ignition and disconnect the negative battery cable.

NOTE: Disconnecting the negative battery cable erases pre-programmed electronic memories. Write down all memory settings before disconnecting the negative battery cable. Some radios will require an anti-theft code to be entered after the battery is reconnected. The anti-theft code is typically supplied with your owner's manual. In the event your vehicles anti-theft code cannot be recovered, contact an authorized dealership to obtain your vehicles anti-theft code.



2. Disconnect the mass air sensor electrical connection.



3. Disconnect the mass air wiring harness clip from the intake tube.

Continued...



4. Loosen the two hose clamps that secure the factory intake tube and then remove the tube from the vehicle.



5. Release the two clips that retain the factory upper air filter housing and then remove the upper housing from the vehicle.



6. Remove the two clips that secure the fresh air intake duct to the core support.



7. Disconnect the mass air sensor wiring harness from the lower air filter housing. Remove the bolt that secures the lower air filter housing to the inner fender and then remove the lower housing from the vehicle.

NOTE: AIRAID recommends that customers do not discard factory air intake.



8. Install the provided grommet and spacer into the AIRAID® air filter housing as shown.



9. Install the provided filter adapter into the AIRAID® air filter housing and secure with the provided hardware as shown.



10. Install the AIRAID® fresh air intake duct into the air filter housing and secure with the provided hardware.



11. Install the AIRAID® air filter housing assembly into the vehicle and secure with the provided hardware.



12. Install the provided hump coupler onto the filter adapter and secure with the provided hardware.



13. Install the provided gasket onto the mass air sensor adapter. Remove the mass air sensor from the factory housing and then install it into the AIRAID® adapter and secure with the provided hardware.



14. Install the mass air sensor adapter into the AIRAID intake tube and secure with the provided hardware.

NOTE: Be sure to install the sensor with the opening towards the filter end of the tube.



15. Install the AIRAID® intake tube into the factory turbo inlet coupler and the coupler at the filter adapter, adjust the tube for best fit and then secure with the provided hose clamps.



16. Install the gasket onto the bottom air filter housing lid.



17. Install the AIRAID® air filter onto the adapter and secure with the provided hose clamp and then install the air filter housing lid and secure with the provided hardware.



18. Reconnect the mass air sensor electrical connection.

Continued...



19. Secure the mass air sensor wiring clip to the intake tube.



20. Connect the two wiring harness clips to the AIRAID® air filter housing.



21. Double check your work!

Make sure there is no foreign material in the intake path. Make sure all clamps, hoses, bolts, and screws are tight. Double check the hood clearance! **Reconnect the negative battery cable!**

Thank you for purchasing the Airaid Intake System. Contact Airaid @ (800) 498-6951 8:00 AM - 5:00 PM MST weekdays for questions regarding fit or instructions that are not clear to you. Your Airaid Intake System was carefully inspected and packaged. Check that no parts are missing, or were damaged during shipping. If any parts are missing, contact Airaid. The air filter element is protected from direct exposure to water and debris; care should be taken not to drive through deep water. **WATER INGESTION IS THE DRIVERS RESPONSIBILITY!** The air filter is reusable and should be cleaned periodically.

For your Oiled media filter we offer the Airaid Tune Up Kit!



P/N 790-551 Aerosol Spray
P/N 790-550 Squeeze Spray



NOT LEGAL FOR SALE OR USE ON ANY POLLUTION CONTROLLED MOTOR VEHICLE IN CALIFORNIA OR STATES ADOPTING CALIFORNIA EMISSION PROCEDURES.

See Airaid.com for CARB status on each part for a specific vehicle

SynthaMax®

Synthamax Air Filters do not require oil. Service air filter as needed by cleaning with common non-petroleum all-purpose household cleaner and water. Simple Green®, Formula 409® or equivalent works great. Apply cleaner to outside of air filter and allow to soak. Then flush filter clean from the inside out with a garden hose and repeat steps if necessary. Do not apply high pressure water or air to clean filter. Allow filter to air dry and reinstall.